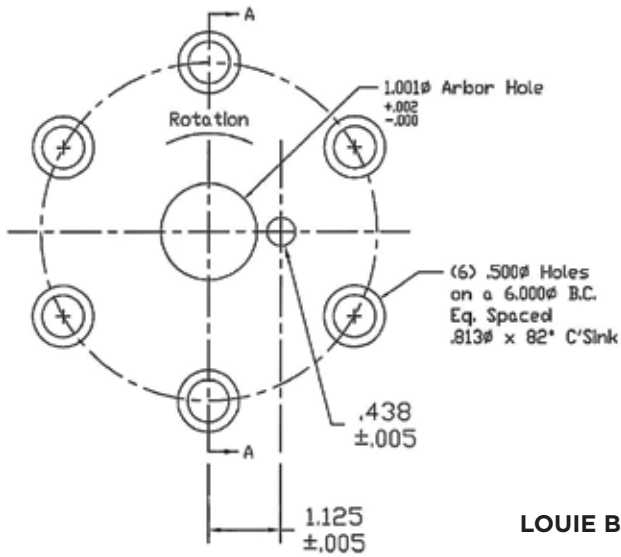
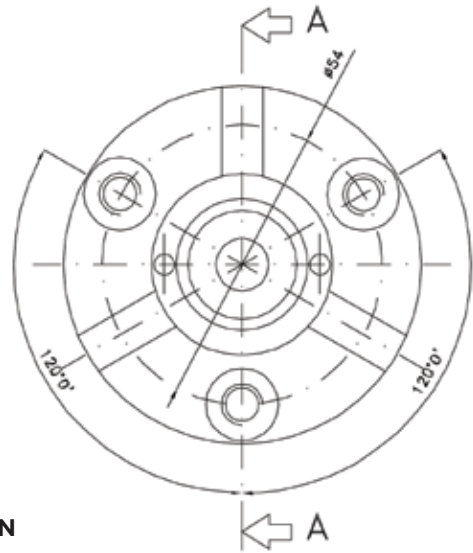


COMMON BOLT HOLE PATTERNS

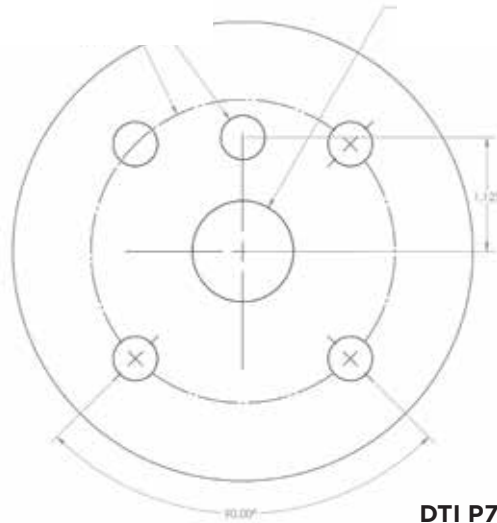
ROGER FLUSH CUT



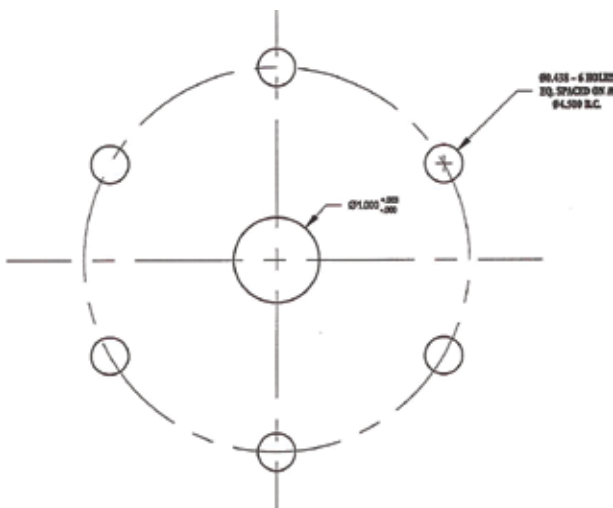
CARDI SAW TP400 PATTERN



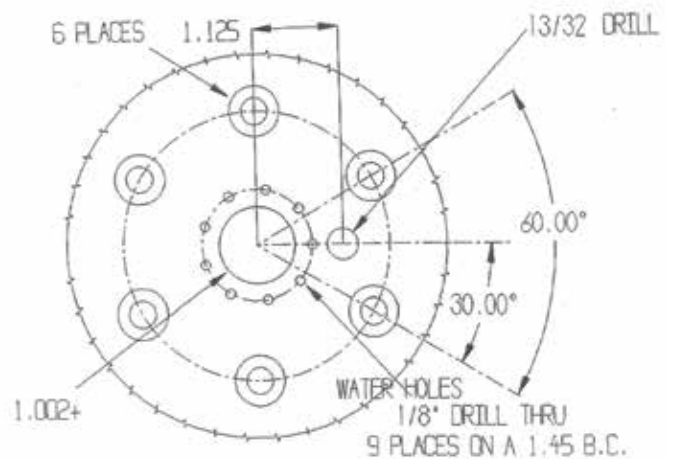
LOUIE BOLT HOLE PATTERN



GEORGE ARBOR PATTERN P59

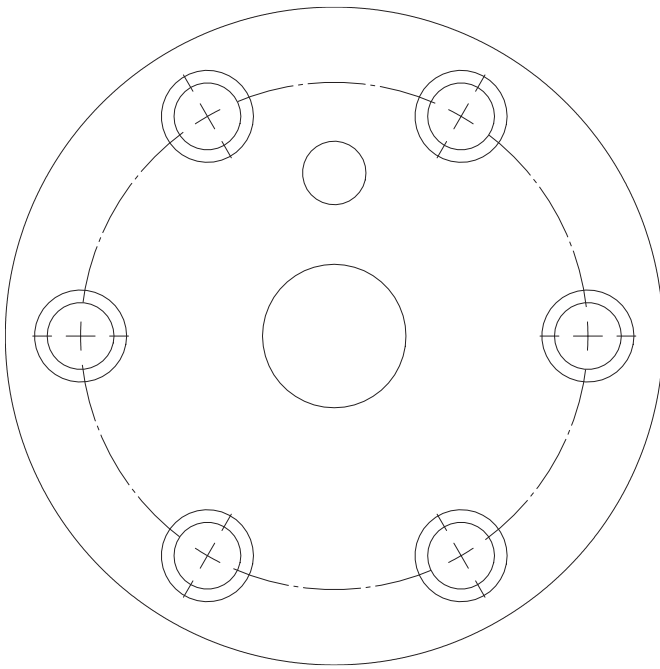


DTI P70 HIGH CYCLE SAW PATTERN

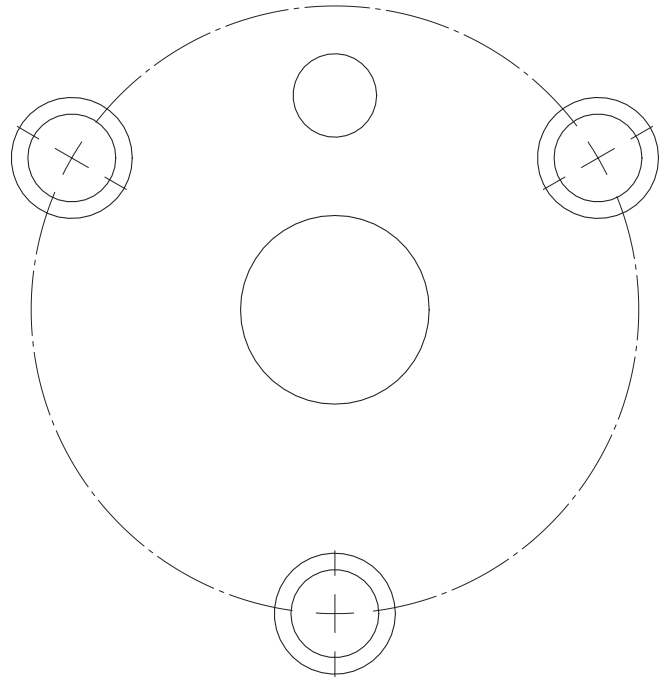


COMMON BOLT HOLE PATTERNS

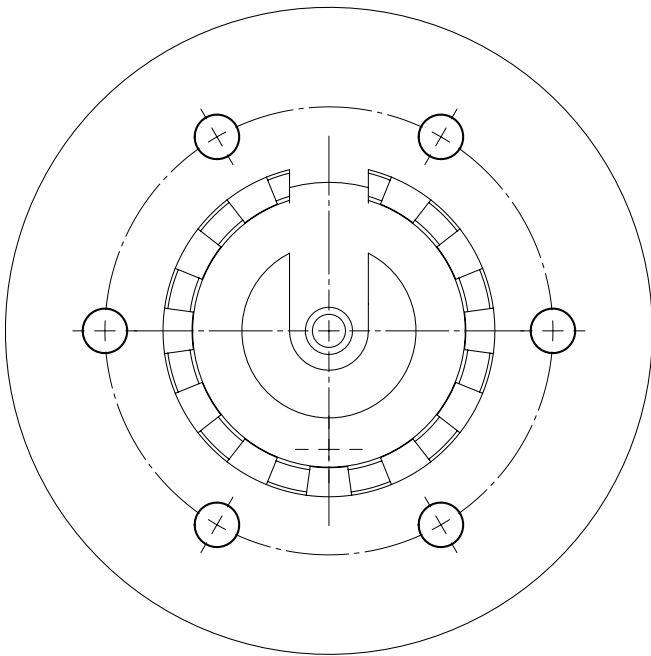
LONG YEAR BOLT HOLE PATTERN - P5



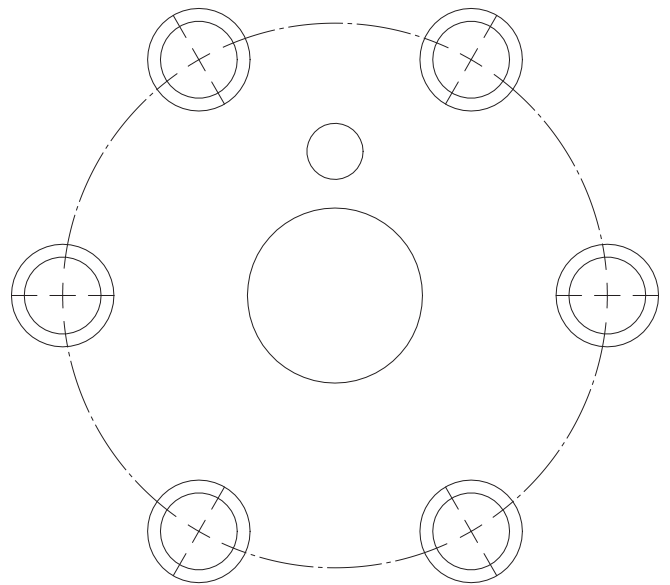
GDM - P10



PENTRUDER - 1" - P51



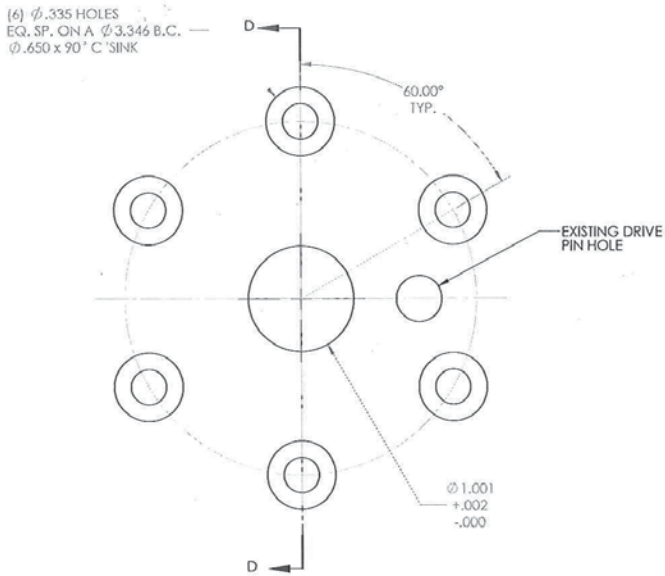
PENTRUDER - 1- 3/8" - P11



PROFESSIONAL

COMMON BOLT HOLE PATTERNS

WS220 - P61



WOLVERINE BOLT HOLE PATTERN

